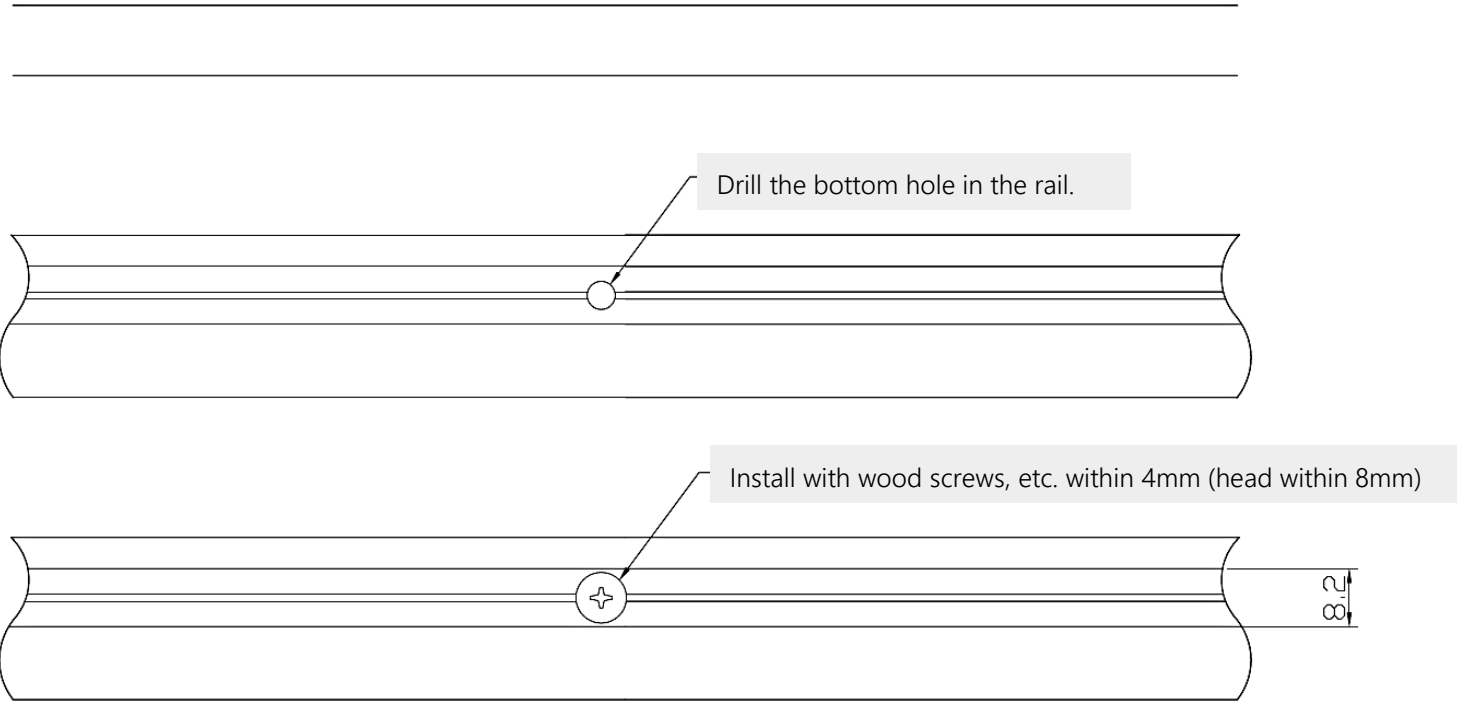
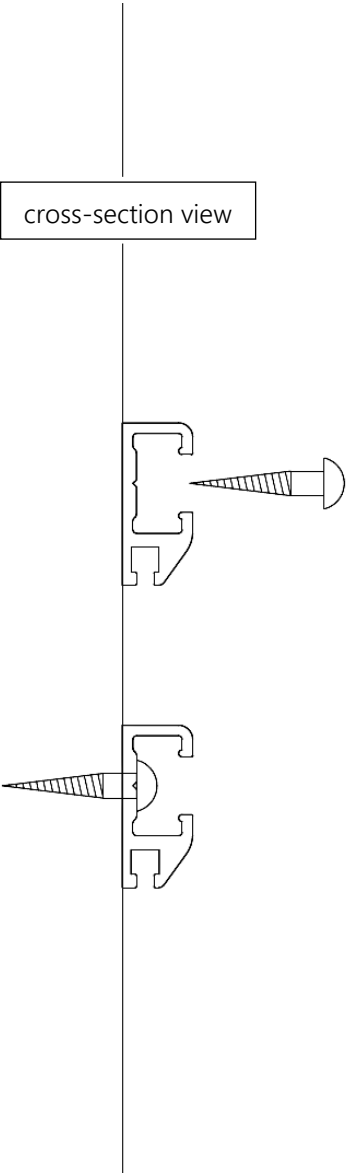


# Picture hanger Safety Hook Series 【Work Instruction】 Rail



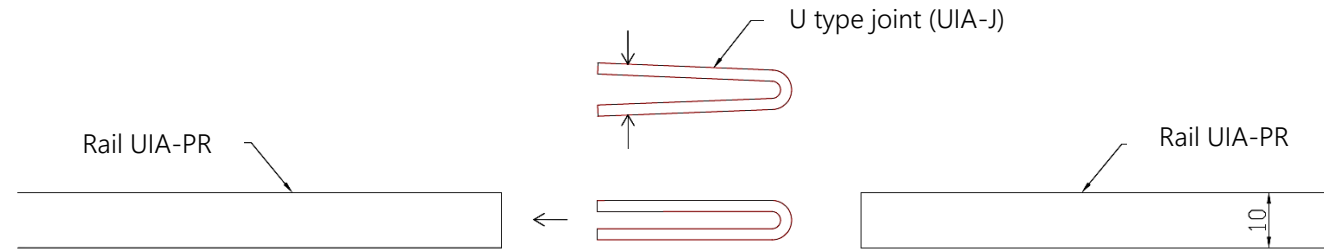
\* Use wood screws, etc., but prepare mounting screws according to the material of the wall surface.

\* Fix with 3 or 4 screws for L=900.

# Picture hanger Safety Hook Series 【Work Instruction】 Rail Joint Installation Instructions

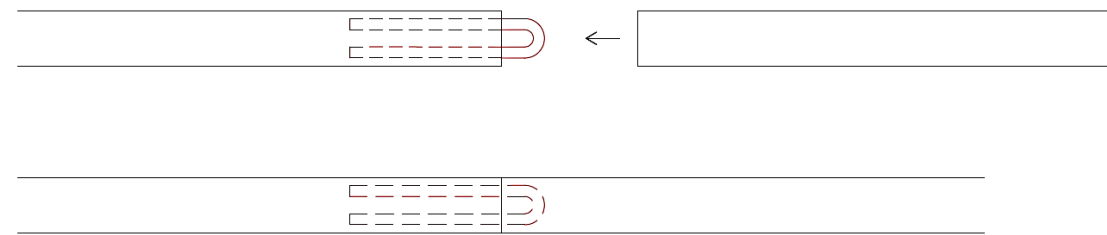
\* This is the procedure for connecting L=900 rails.

1

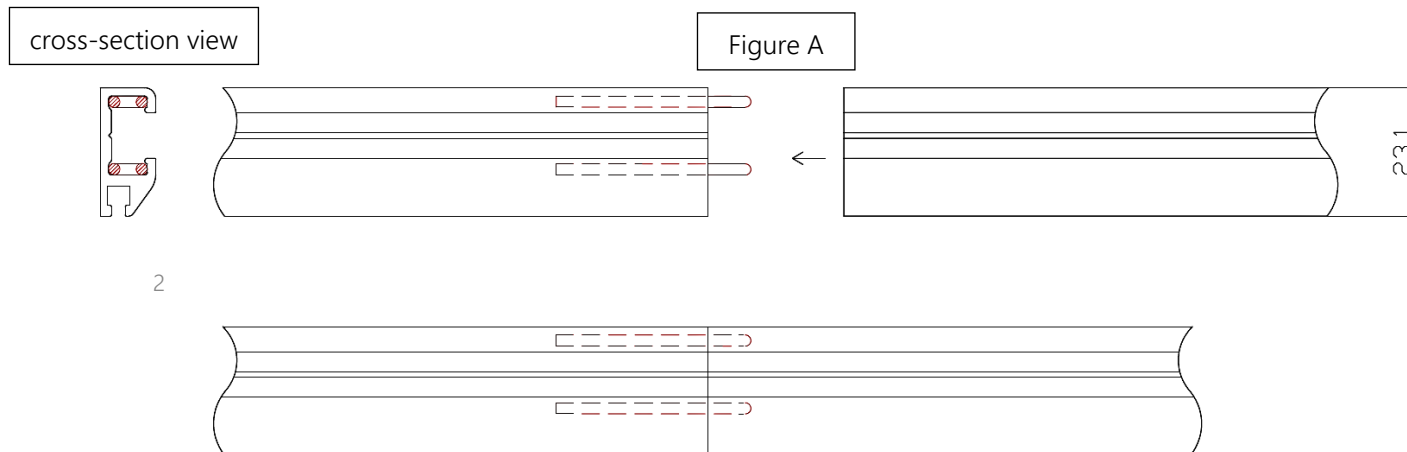


Shrink the tip and push it into the rail groove (2 steps)

2



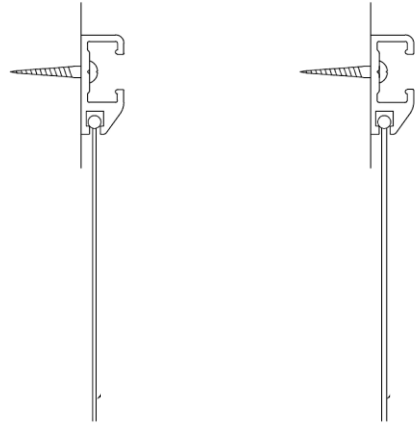
Push in the rail on the side to be connected when the U-shaped part of both rails is about 1 cm from the rail (see Figure A).



2

# Picture hanger Safety Hook Series 【Work Instruction】 wall-mounted rail + picture hanger

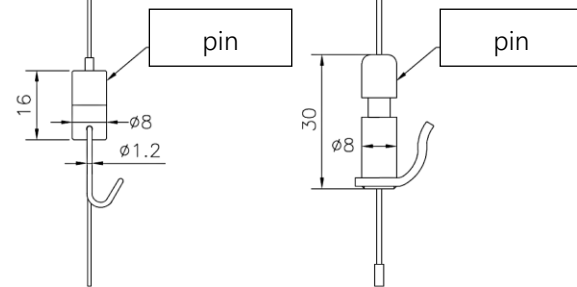
1



①

When installing the rail, check the location of the substrate and install it where the screws will work. Remove the end caps and insert the balls of the wire ends into the grooves on the lower side

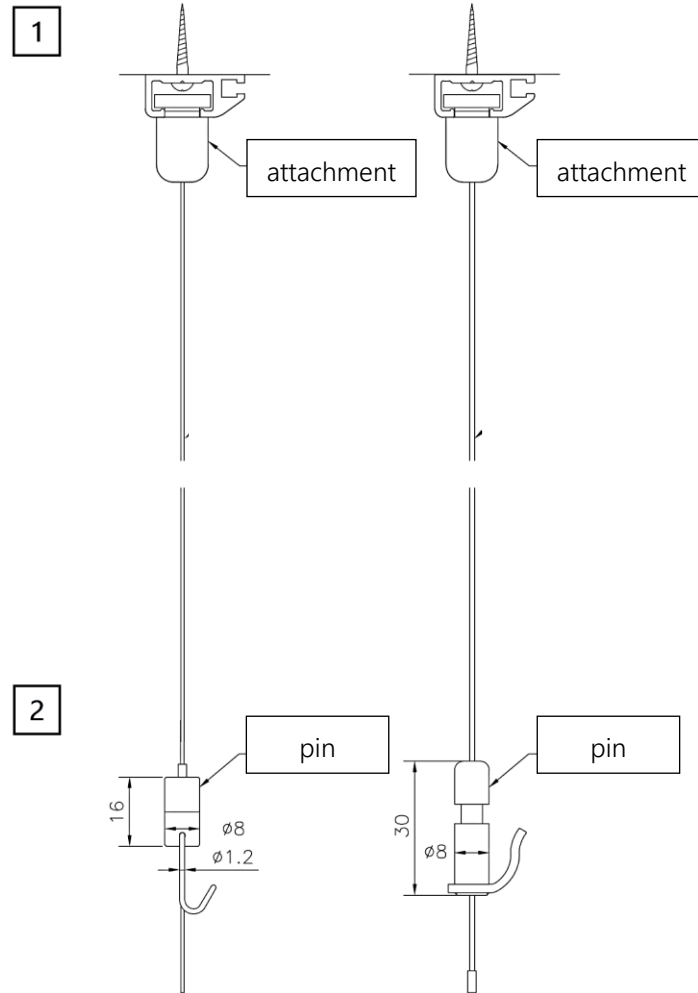
2



②

Adjust the vertical position by operating the pin.

# Picture hanger Safety Hook Series 【Work Instruction】 ceiling-mounted rail + picture hanger



①

When installing the rail, check the location of the substrate and install it where the screws will work. Insert the attachment fitting into the rail, turning it sideways.

At this time, loosen the tightening nut of the attachment by turning it to the left to fully exit the threaded part.

The attachment can be inserted even in the middle of the rail.

②

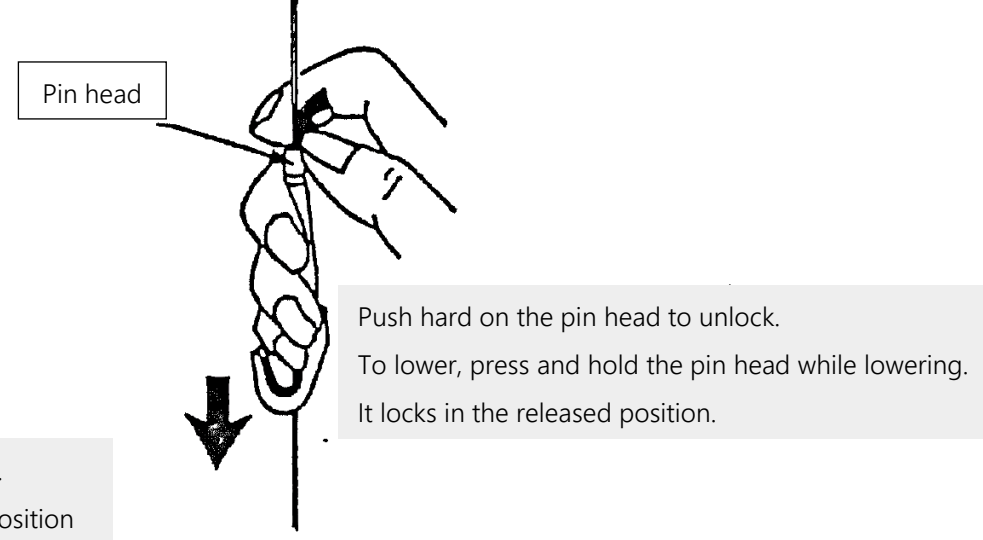
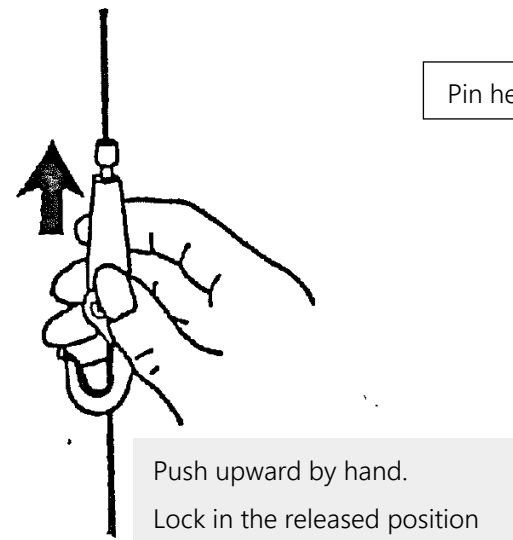
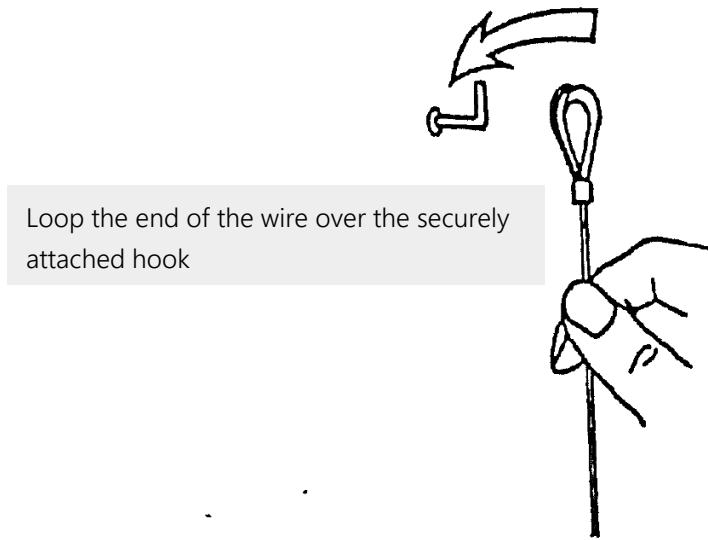
With the metal fitting inside the rail facing vertically, turn the tightening nut on the attachment clockwise to secure it in place.

After fixing the attachment, attach the end caps to both ends of the rail.

Adjust the vertical position by operating the pin.

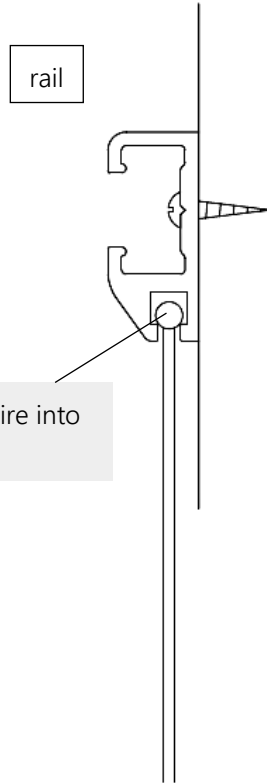
# Picture hanger Safety Hook Series 【Work Instruction】

UGS-1 thimble loop type、U-150 thimble loop type、1540-BS Spring loop type

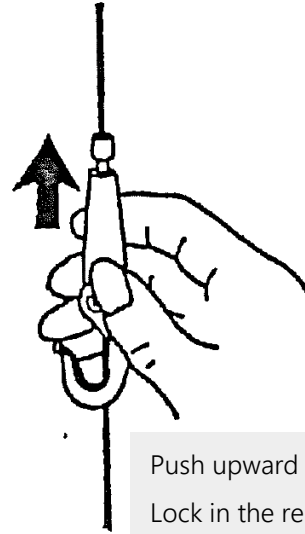


# Picture hanger Safety Hook Series 【Work Instruction】

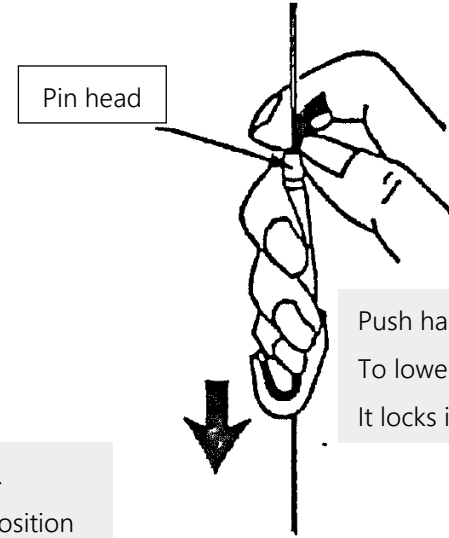
UGS-F Tip  $\phi 3.0$  terminal type、U-150F Tip  $\phi 3.0$  terminal type、1540-F Tip  $\phi 3.0$  terminal type



Insert the ball at the end of the wire into the groove on the lower side



Push upward by hand.  
Lock in the released position



Push hard on the pin head to unlock.  
To lower, press and hold the pin head while lowering.  
It locks in the released position.

## Picture hanger Safety Hook Series 【Attention】

- Rail mounting screws are not included because the substrate is different. Please select screws that match the wall material.

Recommended:  $\varnothing$ 3.5 to  $\varnothing$ 4.0, length 30 mm or more

- Since the substrate position is different, we do not drill holes in the rails. Please check the substrate position before drilling.

Recommendation: Drill holes of 4.5mm to 5.0mm with an electric drill, etc.

- Screws for rail installation are usually recommended to be set @450mm for L=900.
- When installing the rail, check the location of the substrate and be sure to install the rail in a location where the screws are secure.
- Please note that the strength of the screws will affect the safety strength of the rail.
- Special metal fittings may be required depending on the mounting location.
- Do not apply paint or oil to the grips or wires.
- Mounting method varies depending on the wall material.
- We assume no responsibility for any damage or accident caused by incorrect installation.
- Use within the working load.
- (Loop type) Please attach the hook at the hanging point firmly so that it can withstand the working load.
- Do not use a wire that is broken or damaged.
- Make sure that the metal fittings are locked before hanging a frame or other hanging object.
- Please make sure that the level is in a state where the hanging object is supported and no load is applied to it.
- Avoid using the product outdoors, in high temperature, high humidity, shock, or in a state of constant vibration.
- Do not use any wire other than the wire provided with the set.
- Not suitable for any other purpose other than general use of hangers.
- L=1,000mm and 1,500mm are standard wire lengths, but other lengths are also available by special order.
- For improvement, the shape and specifications are subject to change without notice.